

# PRESSURE/ TEMPERATURE PORT

## VERTICAL MULTISTAGE



### DESCRIPTION

This compact transmitter is based on ceramic technology. The measuring cell is welded to the pressure connection and does not require a gasket.

Designed for high operational security applications, this transmitter is suitable for use in gases, liquids and most refrigerants, including ammonia.

This transmitter enables a point-to-point digital communication, with a simple and standardized connection, as well as the configuration of the device in real time. In addition, this product offers various diagnostic possibilities, so that the status of the sensor can be continuously monitored. This pressure transmitter with IO Link-communication technology makes it the ideal product for industrial 4.0 applications.

### Datasheet

---

Features  
Dimensions

**1000 PSIG**  
at 140°F

Pressure

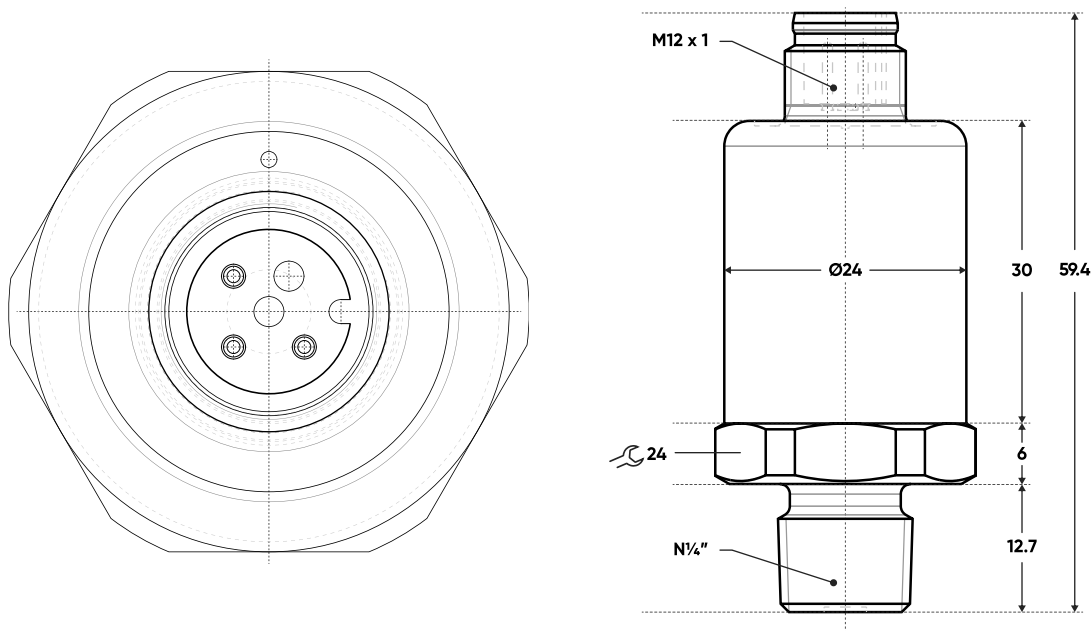
**1/4"**

Size Range

**Threaded  
Extended**

Connections

# Dimensions



FLOW IN USGPM @ 1 PSI @ VARIOUS DISC ANGLE									
SIZES	10°	20°	30°	40°	50°	60°	70°	80°	Full Open 90°
2	0.1	5	12	24	45	64	90	125	135
2½	0.2	8	20	37	65	98	144	204	220
3	0.3	12	22	39	70	116	183	275	302
4	0.5	17	36	78	139	230	364	546	600
5	0.8	29	61	133	237	392	620	930	1 022
6	2	45	95	205	366	605	958	1 437	1 579
8	3	89	188	408	727	1 202	1 903	2 854	3 136
10	4	151	320	694	1 237	2 047	3 240	4 859	5 340
12	5	234	495	1 072	1 911	3 162	5 005	7 505	8 250
14	6	338	715	1 549	2 761	4 568	7 230	10 844	11 917
16	8	464	983	2 130	3 797	6 282	9 942	14 913	16 388
18	11	615	1 302	2 822	5 028	8 320	13 168	19 752	21 705
20	14	791	1 674	3 628	6 465	10 698	16 931	25 396	27 908
24	22	1 222	2 587	5 605	9 989	16 528	26 157	39 236	43 116