

SERIES BFVZ-L

BUTTERFLY VALVE



Datasheet

Features
Dimensions

175 PSIG
at 225°F

Pressure

2" to 24"

Size Range

Lug

Body Style

BODY

Ductile Iron

DISC BODY

Ductile Iron

DISC

DI nickel plated/DI Nylon coated/CF8/CF8M/
Bronze/Hastert-Nickel Alloy/1.4529

SEAT

NBR /EPDM /PTFE /VITON

SHAFT

SS410/SS316

LEVER

Ductile Iron/Aluminum Alloy

WORK TEMPERATURE

-12°C~100°C(NBR)/-20°C~130°C(EPDM)/-10°C~180°C(PTFE)/ -20°C~220°C(VITON)

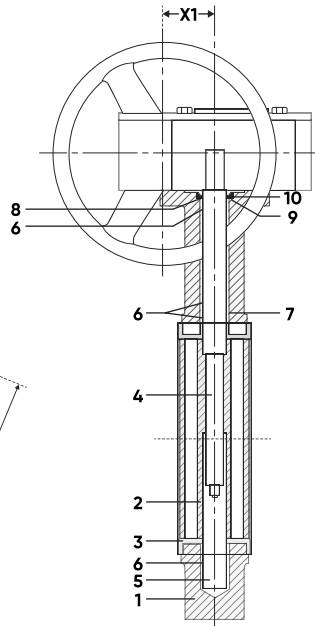
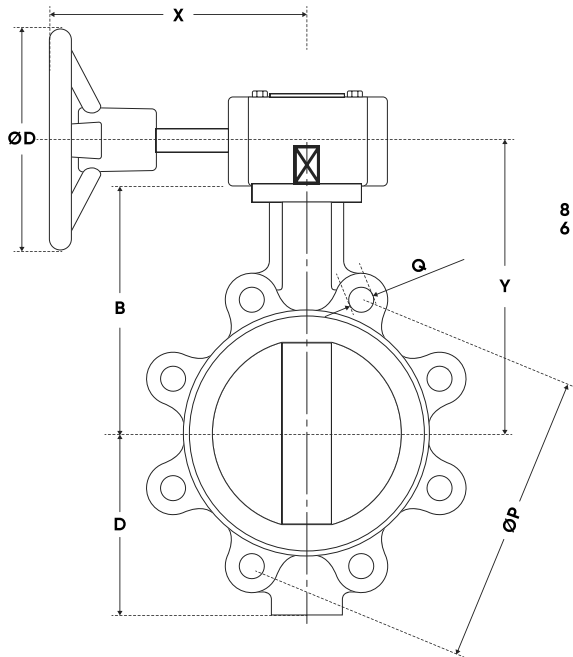
FLANGE STANDARD

GB/T 9113, JB/T 79, BS4504,DIN, ANSI B16.5,
ANSI B16.1 DI nickel plated/DI Nylon coated/
CF8/CF8M/ Bronze/Hastert-Nickel Alloy/1.4529

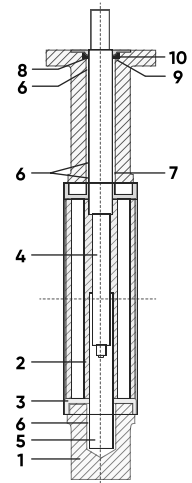
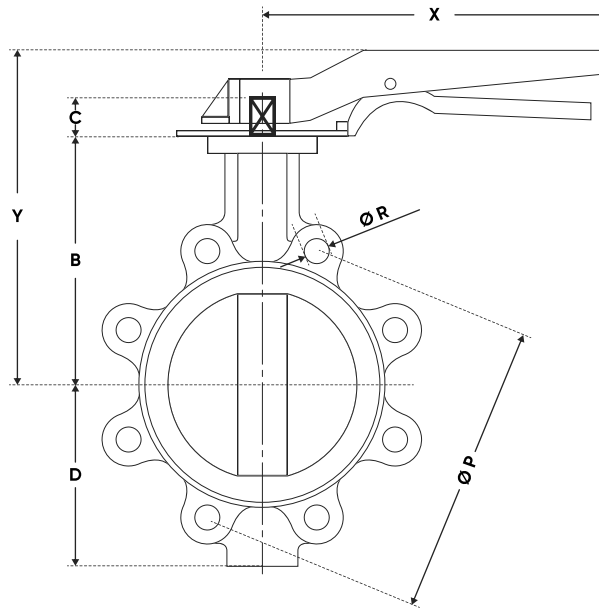
MAXIMUM WORKING PRESSURE

From 2" (50mm) to 12" (300mm) 200 PSI PN16
(1376 kPa) @ 225°F (107°C) From 14"
(350mm) to 24" (600mm) 150PSI PN10 (1034
kPa) @ 225°F (107°C)

Dimensions



NO.	PARTS	DESCRIPTION
1	Body	Ductile Iron
2	Disc	CF8
3	Seat	EPDM/NBR
4	Upper Shaft	SS410
5	Lower Shaft	SS410
6	Bush	Nylon
7	O-Ring	EPDM
8	Half Ring	SS
9	Washer	SS
10	Preventor	Spring Steel



MODELS	SIZE	DN	A	B	C	D	E	F	G	nxØH
BFV0800-L	8"	7.87" 200 mm	7.99" 202.87 mm	9.84" 250 mm		6.89" 175 mm	10.24" 260 mm			
BFV1000-L	10"	9.84" 250 mm	9.88" 250.88 mm	11.10" 282 mm	1.57" 40 mm	7.99" 203 mm	12.40" 315 mm	4.01" 102 mm	4.92" 125 mm	4xØ 12
BFV1200-L	12"	11.81" 300 mm	11.89" 301.9 mm	12.83" 326 mm		9.53" 242 mm	14.60" 371 mm			
BFV1400-L	14"	13.78" 350 mm	13.15" 334.01 mm	14.09" 358 mm		10.51" 267 mm	16.57" 421 mm			