

SERIES AA

AIR VENT



The FLO FAB Automatic Air Vent series AA is designed for continuous air venting in hot and chilled water systems. When used to protect coils, it is best located on the supply side of the coil to prevent air from entering the coil and requiring a service call to vent the air. The unit is best located where pipe velocities are reduced. An ideal location is directly in the body of a «Y» Strainer. The strainer screen breaks and collects bubbles which are vented by

FLOAT MATERIAL

Polypropylene

CAP MATERIAL

Nylon

BODY MATERIAL

Brass

1. For continuous air venting, cap should remain open one full turn.
2. The «Y» Strainer should always be equipped with a blow-down valve.

Datasheet

Features

Performance Curves

150 PSIG
at 200°F

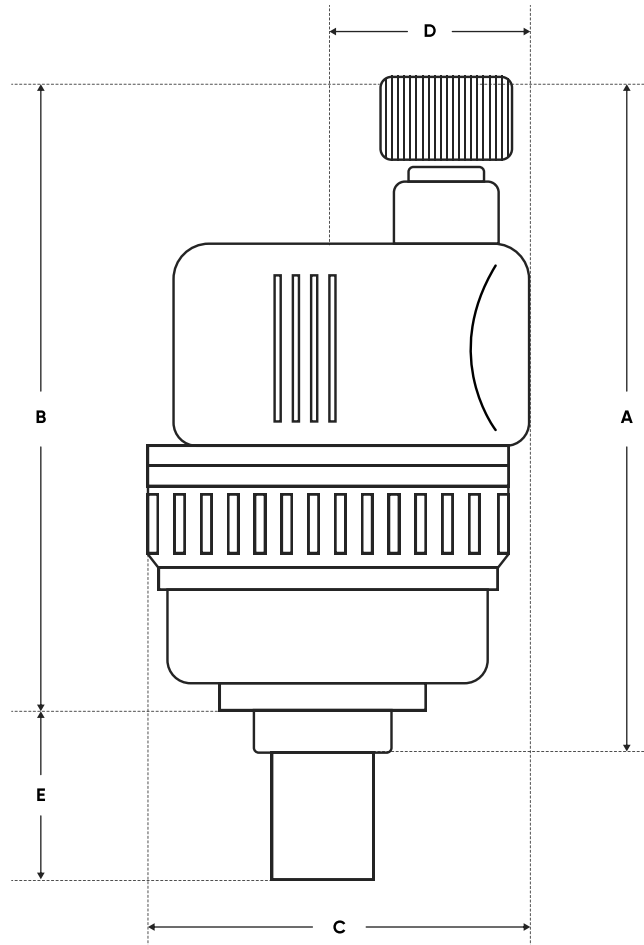
Pressure

1/8" and 1/4"

Size range

Threaded

Connections



NOMINAL DIMENSIONS							
MODELS	Diameter	A	B	C	D	E	Weight
AA0012	½" 15 mm	6 ¾" 171.45 mm	—	1 ⅝" 41 mm	1 ⅜" 21 mm	⅝" 7.9 mm	0.4 lbs 0.18 kg
AA0025	¾" 20 mm	8" 203.2 mm	—			⅛" 3.1 mm	0.43 lbs 0.20 kg

Dimensions not to be used for construction unless prints certified by factory.